



VIKING CHAINS INC.

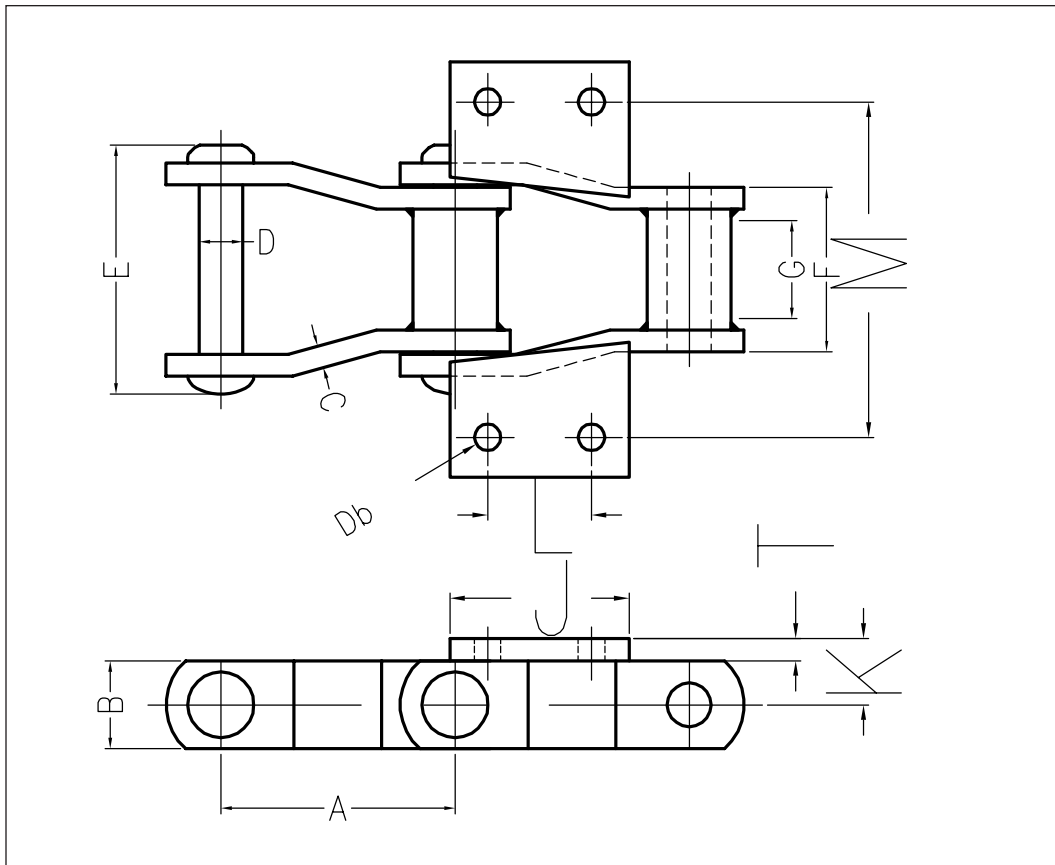
VC CHAINS CORPORATION

SUGAR ELEVATOR CHAIN

For bucket elevators we offer three different options:

- ▼ Combinations Chains
- ▼ Engineered Steel Rollerless Chains
- ▼ Welded Steel Chains

All these chains are supplied with K-2 attachments suitable for standard elevator buckets.



WELDED STEEL CHAIN

+ Bolt diameter - (hole size 1/16" larger)

VIKING CHAIN PIN	PITCH A	AVG. ULT. STRENGTH	B	C	D	E	F	G	K	T	J	L	M	Db+
WH-124	4.000	50,400	1.50	0.38	0.75	4.25	2.82	1.50	1.13	0.38	3.00	1.94	5.25	0.38
WH-111	4.760	50,400	1.75	0.38	0.75	4.82	3.28	1.88	1.25	0.38	3.50	2.31	6.25	0.50
WH-132	6.050	85,500	2.00	0.50	1.00	6.25	4.22	3.12	1.50	0.50	4.19	2.75	7.50	0.50

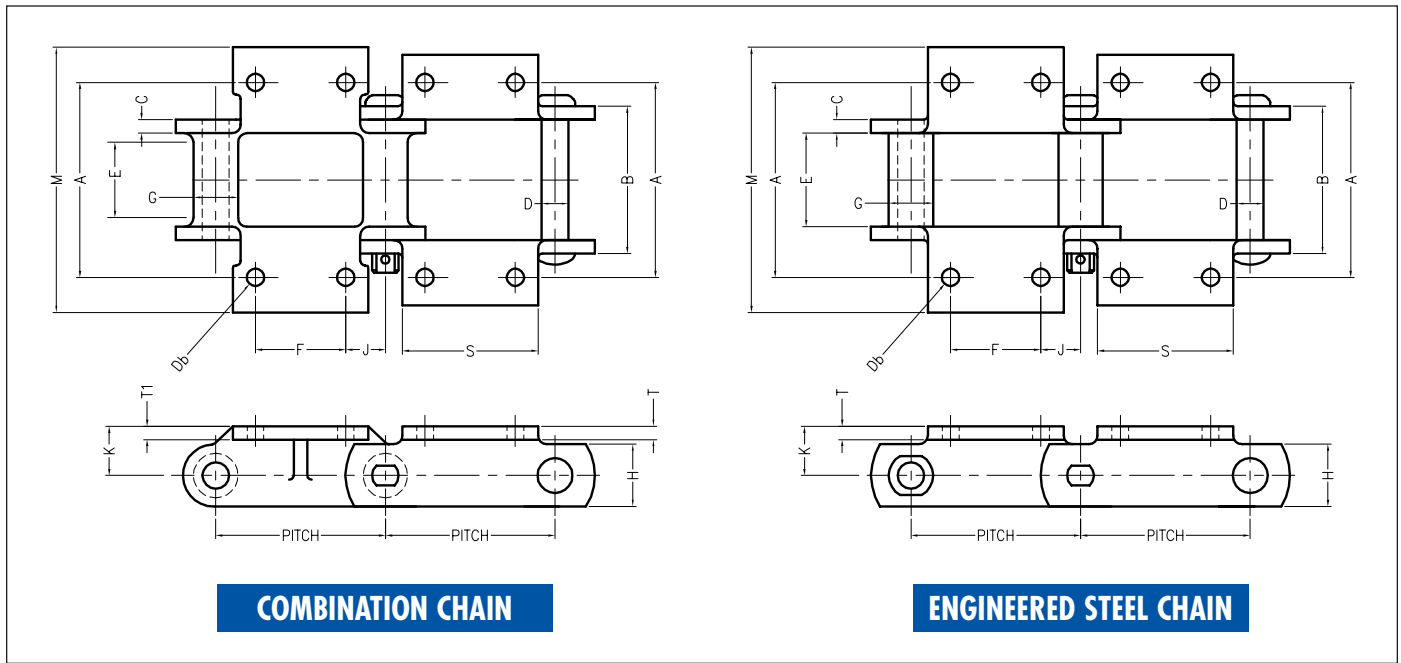
Tabular dimensions and design are subject to change. Verification is recommended as Viking Chains is continuously improving it's products. Dimensions are in inches, loads in lbs.



VIKING CHAINS INC.

VC CHAINS CORPORATION

SUGAR ELEVATOR CHAIN



COMBINATION CHAIN

ENGINEERED STEEL CHAIN

ENGINEERED STEEL CHAIN

+ Bolt diameter - (hole size 1/16" larger)

VIKING CHAIN PIN	PITCH A	AVG. ULT. STRENGTH	MAX WORK LD	B	C	D	E	G	H	K	T	M	A	Db+	F	S
SS188	2.609	25,000	2,750	2.12	0.25	0.50	1.06	0.88	1.50	0.81	0.25	5.13	4.19	0.38	1.25	2.13
SS131	3.075	40,000	4,500	2.88	0.38	0.62	1.13	1.25	1.50	1.00	0.38	5.56	4.12	0.50	1.50	2.50
SS102B	4.00	40,000	6,300	3.72	0.38	0.62	1.75	1.00	1.50	1.00	0.38	6.41	5.31	0.38	1.75	2.62
SS111	4.76	50,000	8,500	4.19	0.38	0.75	2.25	1.44	1.75	1.50	0.38	7.50	6.25	0.50	2.31	3.62
SS110	6.00	40,000	6,300	3.69	0.38	0.62	1.75	1.25	1.50	1.00	0.38	6.38	5.31	0.38	1.75	2.88

Tabular dimensions and design are subject to change. Verification is recommended as Viking Chains is continuously improving it's products. Dimensions are in inches, loads in lbs.

COMBINATION CHAIN

+ Bolt diameter - (hole size 1/16" larger)

VIKING CHAIN PIN	PITCH A	AVG. ULT. STRENGTH	MAX WORK LD	B	C	D	E	G	H	K	T	T1	M	A	Db	F	S
C102B	4.000	32,400	5,400	2.81	0.38	0.62	1.75	1.00	1.50	1.00	0.38	0.22	6.75	5.31	0.38	1.75	2.88
C111	4.760	36,000	6,000	4.18	0.38	0.75	2.25	1.44	1.75	1.13	0.38	0.31	7.50	6.25	0.50	2.31	3.50
C132	6.050	67,500	11,250	5.44	0.50	1.00	2.88	1.72	2.00	1.25	0.50	0.38	9.36	7.50	0.50	2.75	4.00

Tabular dimensions and design are subject to change. Verification is recommended as Viking Chains is continuously improving it's products. Dimensions are in inches, loads in lbs.